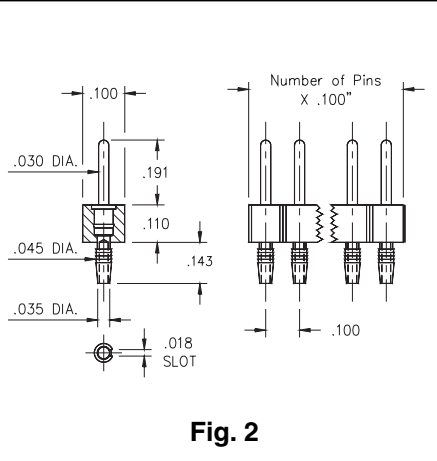
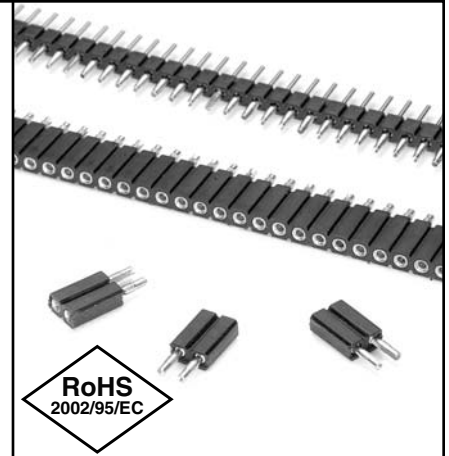


**Fig. 1**

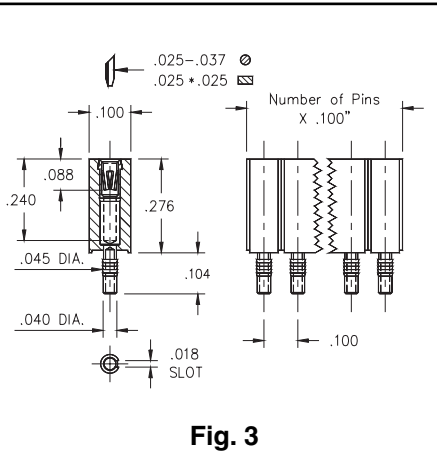
- The unique compliant tail pins conform to .040"±.003" finished hole without stressing inner layers. Patent No. 4,799,904
- Series 800 pin headers are offered in two tail lengths for .060"-.100" (MM #5601) and .090"-.130" (MM #5602) thick panels. See page 187 for details.
- Series 801 sockets MM #4614 or #4615 use Hi-Rel, 6-finger BeCu #47 contacts rated at 4.5 amps. Receptacles accept .030" diameter pins & .025" square pins. See page 221 for details.
- Insulators are high temp. thermoplastic.



**Fig. 2**

**Ordering Information**

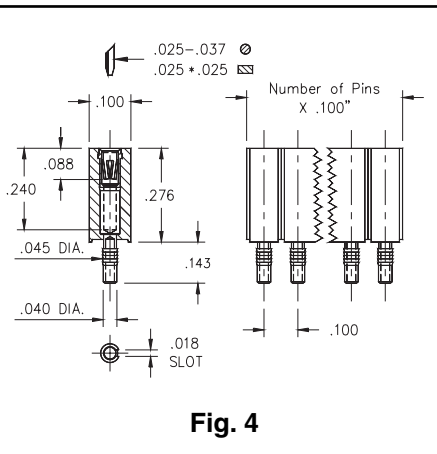
<b>Fig. 1</b>	<b>Compliant Tail Pin Header for .060 - .100" thick boards</b>	
	800-XX-0 __ -61-001000	Specify # of pins → 01-64
<b>Fig. 2</b>	<b>Compliant Tail Pin Header for .090 - .130" thick boards</b>	
	800-XX-0 __ -62-001000	Specify # of pins → 01-64



**Fig. 3**

For Electrical, Mechanical & Environmental Data, See pg. 4
XX=Plating Code See Below
For RoHS compliance select ◇ plating code.

SPECIFY PLATING CODE XX=	10 ◇	90	40 ◇
Pin Plating	10μ" Au	200μ" Sn/Pb	200μ" Sn



**Fig. 4**

<b>Fig. 3</b>	<b>Compliant Tail Socket for .060 - .100" thick boards</b>	
	801-XX-0 __ -61-001000	Specify # of pins → 01-50
<b>Fig. 4</b>	<b>Compliant Tail Socket for .090 - .130" thick boards</b>	
	801-XX-0 __ -62-001000	Specify # of pins → 01-50

For Electrical, Mechanical & Environmental Data, See pg. 4
XX=Plating Code See Below
For RoHS compliance select ◇ plating code.

SPECIFY PLATING CODE XX=	93	99	43 ◇
Sleeve (Pin)	200μ" Sn/Pb	200μ" Sn/Pb	200μ" Sn
Contact (Clip)	30μ" Au	200μ" Sn/Pb	30μ" Au